



बैंक नोट पेपर मिल इण्डिया प्रा. लिमिटेड

BANK NOTE PAPER MILL INDIA PVT LIMITED

JV of SPMCIL - A Govt. of India Enterprises & BRBNMPL - A Subsidiary of RBI

Administrative Building, Gate 1, Paper Mill Compound

Note Mudran Nagar, Mysuru 570003

Phone: 0821-2401 111/178/176/180/177, FAX: 0821- 2401120

OPEN TENDER ENQUIRY No. BNPM/OTE/Control Valve/0291/2022-23

Tender Issuing Date & Time: 02.08.2022 1100 hrs.

1. E-tenders are invited from eligible and qualified tenderers for supply of following goods :

S No	Item Description	UOM	Quantity
1.	DN25 ball segment control valve (Detailed Technical Specifications are as per technical compliance sheet)	No's	1

I. Instructions to tenderers

Type of Tender (Two Bid / PQB / EOI / RC / Development / Indigenization / Disposal of Scrap / Security item etc.	Single Bid System (Part-I Techno-commercial bid & Financial /Price Bid)
Tender Processing Fee	Rs. 100/- + taxes (to be paid online)
Bid submission mode	Online Through e-tendering portal www.tenderwizard.com/BNP .
Closing date and time for receipt of tenders	16.08.2022; 1500 Hrs.

- Interested bidders may obtain further information about this requirement from the above office selling the documents. They may also visit our website www.tenderwizard.com/BNP mentioned above for further details.
- Aspiring Bidders/Contractors who have not registered in e-tendering should register through the website E – Tendering (www.tenderwizard.com/BNP) for participating in the Online Tenders. The registration charges will be Rs. 500/- plus applicable taxes (per year) which needs to be paid through electronic mode only.
- For details, registration and e-payment, please visit e-tendering website www.tenderwizard.com/BNP or contact KEONICS help desk @ 080-40482000.
- Class III Digital Signature Certificate (DSC) is mandatory to participate in e-Tenders. Participating bidders/Contractors have to make sure that they have the valid DSC. If not, they can procure from any of the firm as approved by CCA.
- The tenderer shall satisfy BNPMIPL that they are competent and authorized to submit tender and/or to enter into a legally binding contract with the BNPMIPL. To this effect, any person giving a tender shall render documentary evidence that his signature on the tender submitted by him is legally binding upon himself, his firm or company as the case may be



OPEN TENDER ENQUIRY No. BNPM/OTE/Control Valve/0291/2022-23

6. BNPM reserves the right to cancel the tender at any stage without assigning the reasons thereof.

Terms & Conditions:

1. Documents to be submitted:

- a) Signed copy of this document (All the pages).
- b) Filled price details as per the format provided below in this document.
- c) Technical details /datasheet for the enquired product (if applicable).
- d) Micro / Small Enterprise (Certificate issued by MSME)/UAM/NSIC certificate (If applicable).
- e) Manufacturing unit details (if any).

2. **Price:** Price should be inclusive of P&F, Freight, Transit Insurance and GST. Price shall remain fixed & no price variation shall be accepted till completion of contract.

3. **Terms of Payment:** 100% payment shall be made within 30 days after receipt and acceptance of goods at BNPM Plant, Mysuru and on production of all required documents by the supplier. NEFT/RTGS details shall be furnished along with the Original Invoice.

4. **Delivery Terms & Delivery Address:** Delivery shall be made on F.O.R Basis, Bank Note Paper Mill India Pvt. Ltd., Mysore.

Delivery Address: Engineering Stores, Bank Note Paper Mill India Pvt. Ltd., Note Mudran Nagar, Mysore - 570003. Stores contact details: 0821-2401476/486.

5. **Liquidated Damages (LD):** Liquidated damages shall be applicable at the rate of 0.5% per week or part thereof until actual delivery or performance, subject to a maximum deduction of 10% of the delayed good's /service's contract price.

6. **Delay in supplier's performance:** Time for and the date specified in the contract or as extended for the delivery of the stores shall be deemed to be the essence of the contract and the supplier shall deliver the goods and perform the services under the contract within the time schedule specified by BNPM in the contract.

Any delay attributable to the supplier in maintaining its contractual obligations towards delivery of goods and performance of services shall render the supplier liable to any or all the following sanctions besides any administrative action such as (a) Imposition of liquidity damages; (b) Termination of contract for default.

7. **Extension of Time:** If the contract is delayed in the progress of work by changes ordered in the work, or any clause which BNPM shall decide to justify the delay, then the time of completion shall be extended by a reasonable time.

If at any time during the currency of contract, the supplier encounters conditions hindering timely delivery of the goods and performance of services, the supplier shall promptly inform BNPM in writing about the same and its likely duration and make a request to BNPM for extension of the delivery schedule accordingly. On receiving the supplier's communication, BNPM shall examine the situation as soon as possible and, at its discretion, may agree to extend the delivery schedule, with or without liquidated



OPEN TENDER ENQUIRY No. BNPM/OTE/Control Valve/0291/2022-23

damages for completion of supplier's contractual obligations by issuing an amendment to the contract.

8. Rejection Replacement: In case of supplies, materials not meeting our specification will be rejected outright and the rejected material shall be taken back within 7 days at the cost and risk of the supplier and replacement should be made within 15 days from the date of intimation. No payment shall be made for rejected item. If the material is not taken back within the stipulate period, BNPM reserves the right to dispose-off the material at the risk and expense of the vendor as per provision under Section IV: General conditions of contract.

9. Risk Purchase Clause: If the supplier fails to abide by the terms and conditions of the contract/agreement, or fails to supply the material as per the delivery schedule or any time repudiates the contract,

Procure the tendered item / render service from other agencies at the risk and cost of the supplier. The cost difference between the alternative arrangement and existing contract value wherein default has been made will be recovered from the supplier along with the other incidental charges.

In case of procurement through alternative sources, if procurement price is lower than the existing contract value wherein default has been made, in such case no benefit on this account will be passed on to the supplier.

10. Termination for Convenience (Foreclosure) Clause: BNPM reserves the right to terminate the contract, in whole or in part for its (BNPM's) convenience, by serving written notice on the supplier at any time during the currency of the contract. The notice shall specify that the termination is for the convenience of BNPM. The notice shall also indicate inter-alia, the extent to which the supplier's performance under the contract is terminated, and the date with effect from which such termination will become effective.

11. Settlement of Disputes through Arbitration: All disputes and differences of any kind whatsoever arising out of or in connection with the contract, whether during the progress of the work or after their completion except accepted matters shall be settled through arbitration process as per the Arbitration & Conciliation Act, 1996. The venue of arbitration shall be Mysore, Karnataka.

12. Legal Jurisdiction: The Courts of Mysore (Karnataka State) shall alone have jurisdiction to decide on any legal matter of dispute whatsoever arising out or in respect of the contract.

13. Force Majeure: In the event of any unforeseen event directly interfering with the supply of stores arising during the currency of the contract, such as war, hostilities, acts of the public enemy, civil commotion, sabotage, fires, floods, explosions, epidemics, quarantine restrictions, strikes, lockouts, or acts of God, the Contractor shall, within a week from the commencement thereof, notify the same in writing to the Purchaser with reasonable evidence thereof. Unless otherwise directed by BNPM in writing, the supplier shall continue to perform its obligations under the contract as far as reasonably practical, and shall seek all reasonable alternative means for performance not prevented



OPEN TENDER ENQUIRY No. BNPM/OTE/Control Valve/0291/2022-23

by the Force Majeure event. If the force majeure condition(s) mentioned above be in force for a period of 90 days or more at any time, either party shall have the option to terminate the contract on expiry of 90 days of commencement of such force majeure by giving 14 days' notice to the other party in writing. In case of such termination, no damages shall be claimed by either party against the other, save and except those which had occurred under any other clause of this contract prior to such termination.

14. Fore-Closure Clause: If at any time during the continuation of this contract, the use of material ordered in this contract is completely banned or due to drastic change in Government policy its use as, raw material is discontinued or is declared hazardous to public health or cause rising to civil commotion, epidemics, wide-spread strikes and 21 days' notice of such eventualities is given by purchaser to the seller, the seller without any right to enforce the contract, will agree to the fore-close the performance of balance portion of this contract and in that event no claim for damages or loss will be lodged against the purchaser.

15. Rights of Rejection: BNPMIPL reserves the right to reject any or all the applied bids without assigning any reason whatsoever. The enquiry can be rejected on national security grounds.



OPEN TENDER ENQUIRY No. BNPM/OTE/Control Valve/0291/2022-23

Technical Compliance Sheet

S. No	ITEM DESCRIPTION	REQUIREMENT (BNPM)	VENDOR OFFER	DEVIATION if any	REMARKS
1.	Valve Duty	Control			
2.	Valve Type	Ball Segment			
3.	Valve Size	DN 25			
4.	Application	Fluid: Water/ Steam/Pulp etc.,			
5.	Process Temperature	80°C (Normal)			
6.	Process Pressure	3bar (Normal)			
Valve Body					
7.	Body Material	CF8M			
8.	Body type	Wafer			
9.	Body Pressure Rating	ASME Class 300 / PN 10 - 40			
10.	Face to Face	50			
11.	Valve Flange Drilling	ASME B16.5 300			
12.	Valve Flange Face Finish	EN1092-1 B1 (3.2- 12.5)/ B16.5 RF (3.2- 6.3)			
13.	Trim Material	329 SS + Hard Chromed			
14.	Valve Stem Material	1.4460/62			
15.	Valve Stem Connection	keyway ASME B17.1 Diameter			
16.	Seat/Liner Material	PTFE / PTFE 53 /STELL / Hi-Co			
17.	Valve Bearing Material	PTFE+C25+AISI 316			
18.	Valve Max Temperature	250°C			
19.	Valve Min Temperature	-40°C			
20.	Seat Leakage class(water)	FCI 70.2 class IV			
Actuator					
21.	Actuator type	Pneumatic, Double Acting Rotary			
22.	Actuator Housing	Aluminium			
23.	Actuator mounting dimensions	As per ISO 5211- F05/F07			
24.	Actuator manual override	No			
25.	Actuator Temperature	-20 °C to 70°C			
26.	Open Limit	90°			
27.	Close Limit	0°			
28.	Air Supply pressure	5bar			



OPEN TENDER ENQUIRY No. BNPM/OTE/Control Valve/0291/2022-23

29.	Mounting Pattern	For valve attachment ISO 5211			
30.	Mounting Pattern	For Positioner attachment VDI/VDE 3845			
Accessories					
31.	Mounting	Mounting Plate Shaft Bushing			
Valve Dimensions					
32.	Face to Face distance	As per Annexure 1			
Spares					
33.	1. Seal kit for actuator and Valve	One set required with valve			

Note:

1. The vendor should quote in the above format only, clearly indicating the deviations.
2. All claims/suggestions should be supported by drawings/manuals/standards etc.,
3. The vendor should give a performance guarantee for minimum of **1year**.

Annexure 1:p

Ball Segment Valve Dimension Details:

Valve body

DIMENSIONS						VALVE		
Size	OB	DN	A	O	P	Seat	Body	Mounting
DN25	65	25	50	15	17	PTFE	CF8M	ISO 5211

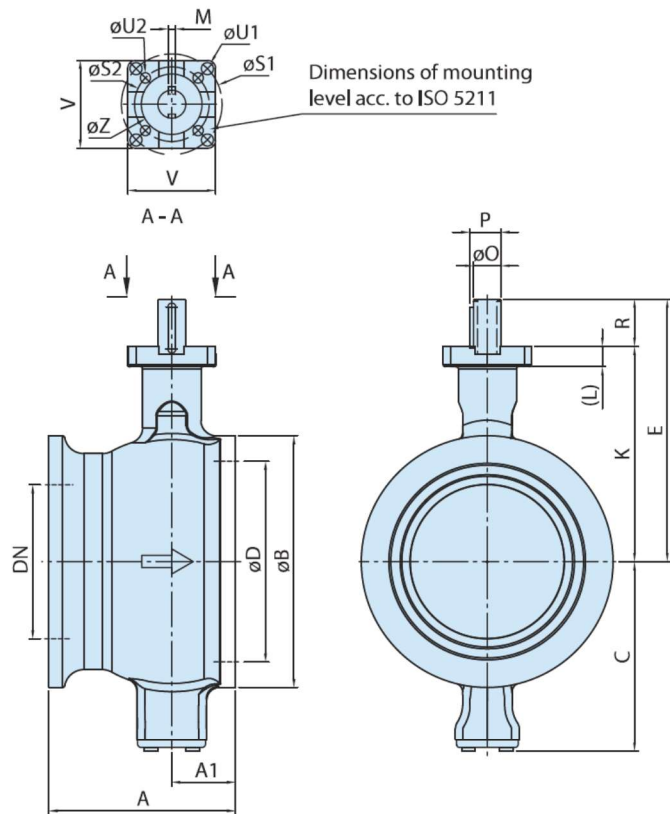
Double Acting Pneumatic Actuator

Positioner Mounting - VDI/VDE 3845, Type – Rotary



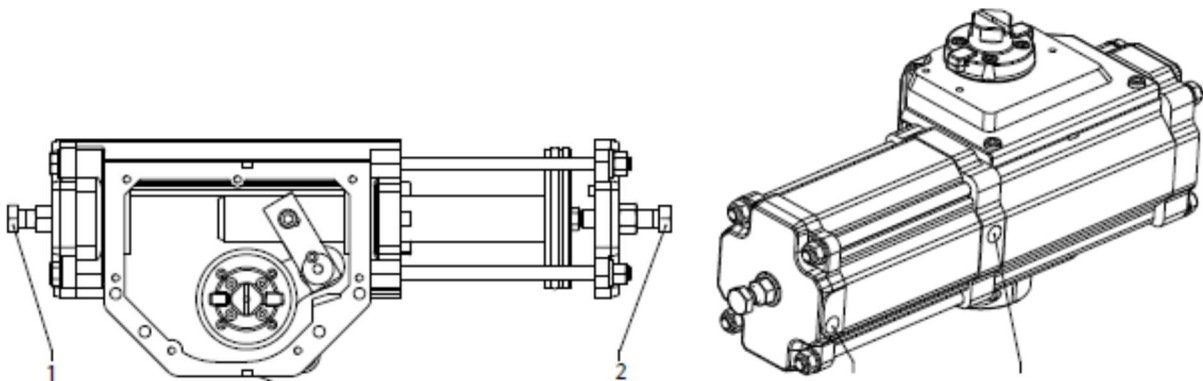
OPEN TENDER ENQUIRY No. BNPM/OTE/Control Valve/0291/2022-23

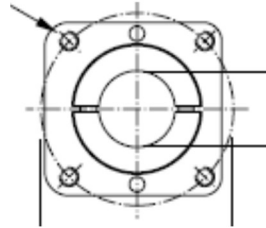
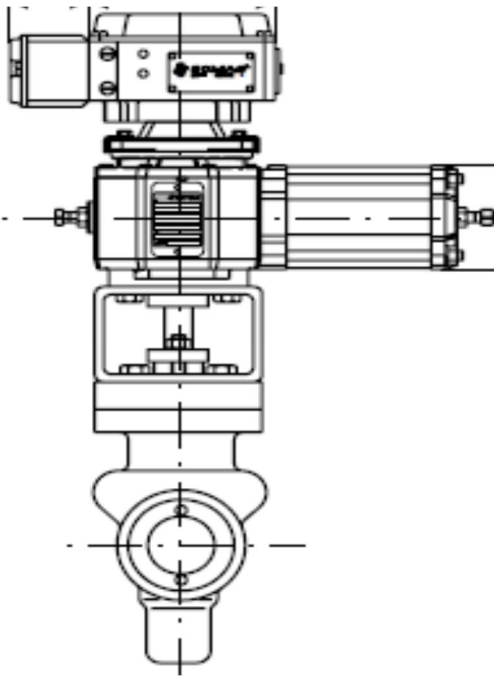
VALVE BODY



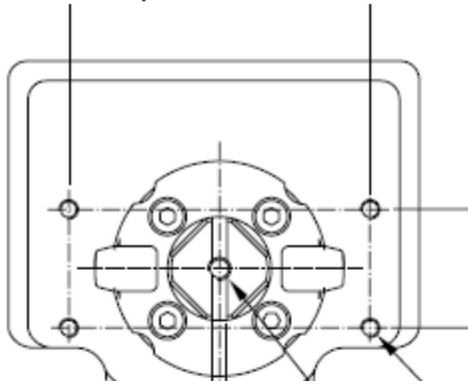
DN	ISO 5211	Dimensions, mm																	Kg	
		A1	A	ϕB	C	ϕD	E	R	K	ϕO	M	P	$\phi S1$	$\phi S2$	$\phi U1$	$\phi U2$	ϕZ	L		V
25	F05	21	50	64	56	33	127	27	102	15	4.76	17	-	50	-	6.6	35	15.5	52	1.3

ACTUATOR





**Mounting pattern
according to
ISO 5211**



VDI/VDE

OPEN TENDER ENQUIRY No. BNPM/OTE/Control Valve/0291/2022-23

34. Price Bid Format:

Sch. No	Material Description	UO M	Qty	Unit Price (INR)	P&F, Insurance & Freight Charges (INR)	GST@ Amount (INR)	Unit price including P&F, Insurance, Freight & GST (INR)	Total price inclusive of P&F, Insurance, Freight & GST (F.O.R, BNPM, Mysuru) (INR)	Input GST Credit (INR) {GST amount * Total quantity}	Effective price inclusive of P&F, Insurance, Freight (F.O.R, BNPM, Mysuru) (INR)
A	B	C	D	E	F	G	H=E+F+G	I=H*D	J=G*D	K=I-J
1.	DN25 ball segment control valve (Detailed Technical Specifications are as per technical compliance sheet)	No's	1							
									Grand Total	

Note:

1. Evaluation shall be done on the basis of overall effective price quoted by the bidder



OPEN TENDER ENQUIRY No. BNPM/OTE/Control Valve/0291/2022-23

We hereby confirm that

1. We accept all the terms & conditions mentioned in the enquiry.
2. Price quoted is inclusive of P&F, Insurance, Freight and GST on F.O.R Basis, BNPM Plant, Mysore.
3. HSN Code: Item
4. GST registration status: Unregistered / compounding / registered.
5. Delivery period: (Days / Weeks)
6. Warranty Period: Months (Time Period to be specified in case warranty period is less than 12 months / NA to mentioned in the in case warranty is not applicable)
7. Bid validity: 90 days from date of closing of tender including extensions/ corrigendum's (if any).

8. Bank Details:

Bank Acc. No.;

Bank Acc Name:

Branch name:; Branch Code:

IFSC:

9. MSME / NSIC status: (If yes, then supporting document shall be submitted along with the offer to avail the benefits under the Procurement Policy for MSEs, Order 2012 along with its amendments.)

(Please fill above: MSI – For Micro Enterprises; SSI – For Small Enterprises; MED.SI – For Medium Enterprises; NSIC – For National Small Industries Corporation regd. firm)

Signature of bidder:

Name of the Firm:

Seal of the firm:

GST No.:

Contact Details:-

Contact Person:

Contact Number:



(To be submitted on Company letterhead)

BID SECURITY DECLARATION

We, the undersigned, declare that we will automatically be suspended from being eligible for bidding in any tender with Bank Paper Mill India Private Limited, Mysore for the period of 12 months, if we are withdrawing our Bid during the period of bid validity (or) fail / refuse to furnish the performance security / execute the contract, if awarded.

Signature _____

Name-----

Designation-----

Date-----

Stamp of the Organization-----

